



FLAT DISPLAY TECHNOLOGY CORPORATION



This product is RoHS compliant



PKA1GxxxRx-00R

Specification

2014.8.26 Version 0.5



ETPP

Embedded Touch Panel Platform

ADD:No.85,Sec.1,Fuxing Rd.,South Dist.,Taichung City 402,Taiwan(R.O.C)

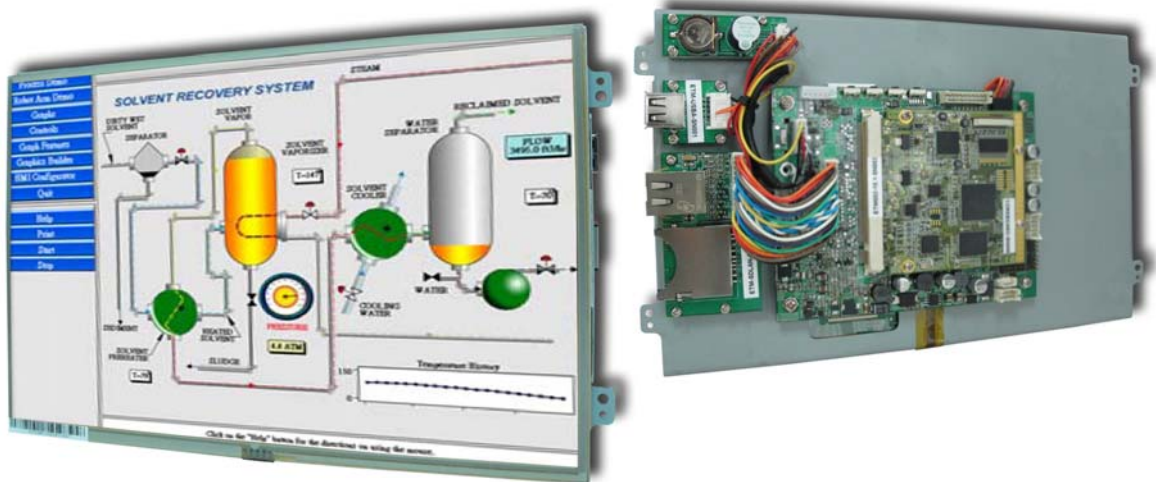
TEL:886-4-22619577 FAX:886-4-22623978

E-MAIL:fdt@fdt.com.tw http://www.fdt.com.tw



證書號碼 | 030450

證書號碼 | 87E02534



Features

■ System

- ARM Cortex-A8 @ 600MHz
- 256 MB LPDDR DRAM / 256 MB NAND Flash
- 512 MB LPDDR DRAM / 512 MB NAND Flash
- Android 4.0 / Android 2.2 WEC7 / WinCE 6.0

■ Display

- 10.1"(16:9) Color TFT-LCD Panel
- 4 Wires Resistive Touch Screen

■ Various Industrial Serial ports

- RS232 / RS485 / RS422

■ GPIO and Special IO

- General purpose I/O x 9
- I²C (100K/400KHz) x 1
- SPI x 2
- PWM x 1
- ADC (10-Bits) x 1

■ USB

- USB 2.0 x 1

■ LAN

- Ethernet RJ-45 (10/100Mbps)
- WI-Fi IEEE 802.11 b/g/n (Option)
- PoE (Option)

■ Storage

- SD socket x1
- Micro SD x1 (Option)

■ Starter Kit

- Simply setting
- Quick Start
- Easy Learning

■ Free APPs source code

- Free C# APPs source code for WEC7 / WinCE 6.0
- Free JAVA APPs source code for Android
- Various APPs for special I/O





Specifications

System	
Processor	ARM Cortex-A8 @600MHz
System Memory	256MB LPDDR DRAM / 256MB NAND Flash 512MB LPDDR DRAM , 512MB NAND Flash
2D/3D Graphics Accelerator	Power VR SGX 530
OS Support	Android 4.0 / Android 2.2 WEC7 / WinCE 6.0
COM1	RS232 (Option: UART/RS458/RS422)
COM2	RS232 (Option: UART)
USB OTG /HOST	USB2.0 HOST x 1 (OTG x 1 Option)
Ethernet /WLAN	RJ45 Port as 10/100Mbps (PoE Option)
Memory Card	SD / Option: TF (Micro SD)
Buzzer	85dB
Battery for RTC	CR1220
Wi-Fi	Wi-Fi IEEE 802.11 b/g/n (Option)
Scan Key	Max 3 x 3 (Option)
Function Key	Option
Audio	Earphone/MIC (Option) (Note)
GPIO	GPIO x 9, I ² C x 1, SPI x 2, PWM x 1, ADC x 1

LCD	
Panel Size	10.1"
Resolution (Pixels)	1280x800
Color	1,677K colors (24 bits)
Luminance / (with TP)	300/240 cd/m ² (Option)
View Angle	75/70/75/75
Backlight Lifetime (LED)	12K (Min)
Touch Screen	
Resistive Type	4 Wires
Projected Capacitance Touch	Option
Power Requirement	
Power Input	+9~+36V _{DC} (PoE Option)
Power Consumption@+12V	7.5 Watts ± 15%
Environment	
Operating Temp.	-10~50°C
Storage Temp.	-20~60°C

Note: Must use condenser microphone only





Order Information

Parameter	PKA1GA00R1-00R	PKA1GW00R1-00R	PKA1GA1AR2-00R	PKA1GW1AR2-00R
OS	Android 2.2	WEC7 / WinCE6.0	Android 2.2	WEC7 / WinCE 6.0
Memory	256MB	256MB	256MB	256MB
Touch Panel Type	4W Resistive	4W Resistive	4W Resistive	4W Resistive
COM1&COM2 Port	RS232 x 2	RS232 x 2	RS232 x 2	RS232 x 2
USB HOST A-type	⊙	⊙	⊙	⊙
SD Socket	-	-	⊙	⊙
Ethernet (10/100Mbps)	-	-	⊙	⊙
GPIO (SPI/I2C/PWM/ADC)	⊙	⊙	⊙	⊙
RTC Li-ion Battery (CR1220-3V)	⊙	⊙	⊙	⊙
Buzzer	⊙	⊙	⊙	⊙
Function Key (On Board)	⊙	⊙	⊙	⊙
Scan Key	-	-	Option	Option
Earphone / MIC	-	-	Option	Option
WiFi	-	-	Option	Option
Dimension (WxHxD)	244.5 x 150.9 x 21.2 mm	244.5 x 150.9 x 21.2 mm	244.5 x 150.9 x 25.26mm	244.5 x 150.9 x 25.26mm
Weight	660.5 g± 10%	660.5 g± 10%	690 g± 10%	690 g± 10%

Parameter	PKA1G41AR2-00R
OS	Android 4.0
Memory	512MB
Touch Panel Type	4W Resistive
COM1&COM2 Port	RS232 x 2
USB HOST A-type	⊙
SD Socket	⊙
Ethernet (10/100Mbps)	⊙
GPIO (SPI/I2C/PWM/ADC)	⊙
RTC Li-ion Battery (CR1220-3V)	⊙
Buzzer	⊙
Function Key (On Board)	⊙
Scan Key	Option
Earphone / MIC	Option
WiFi	Option
Dimension (WxHxD)	244.5 x 150.9 x 25.26mm
Weight	690 g± 10%

Note:1. The assembling of panel and bracket is aimed for delivery, packaging and experiment. If the demand of shockproof and long-term fix, pls have it into consideration of mechanism design.

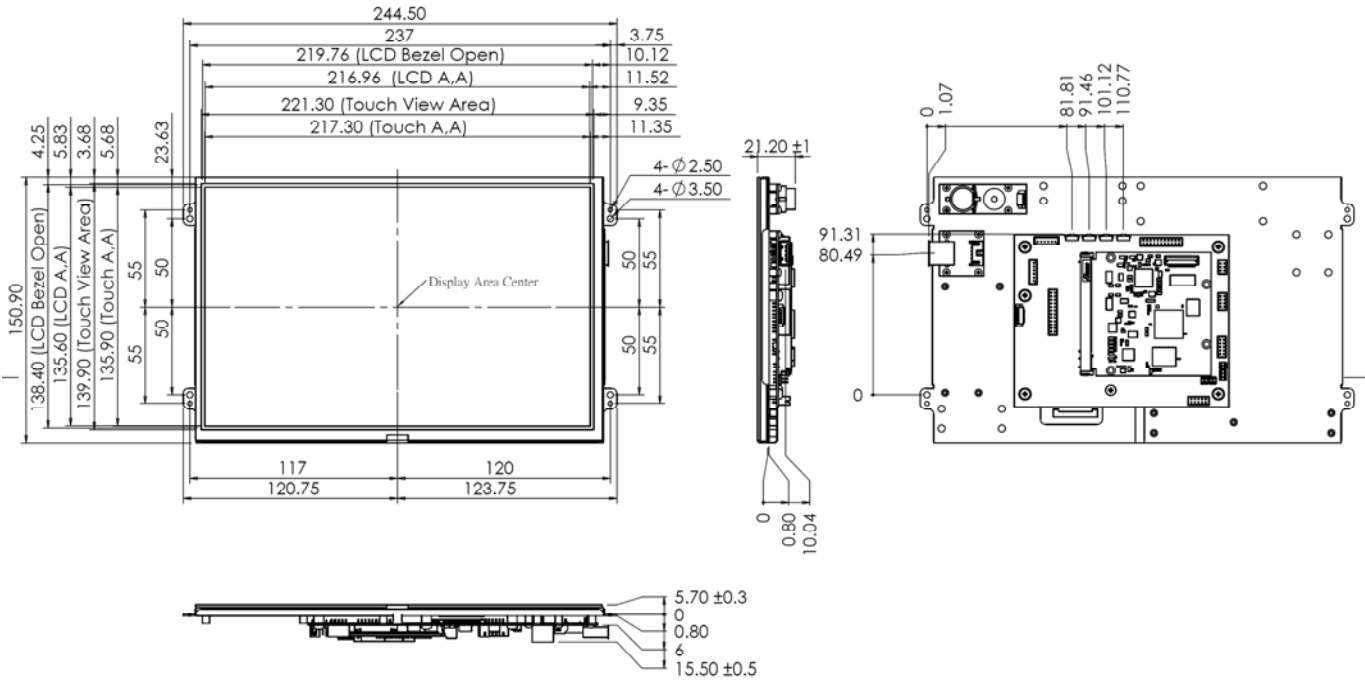
2. Scan Key Board、Audio Board、WiFi module are optional accessories in PKA1GA1AR2-00R、PKA1GW1AR2-00R and PKA1G41AR2-00R.



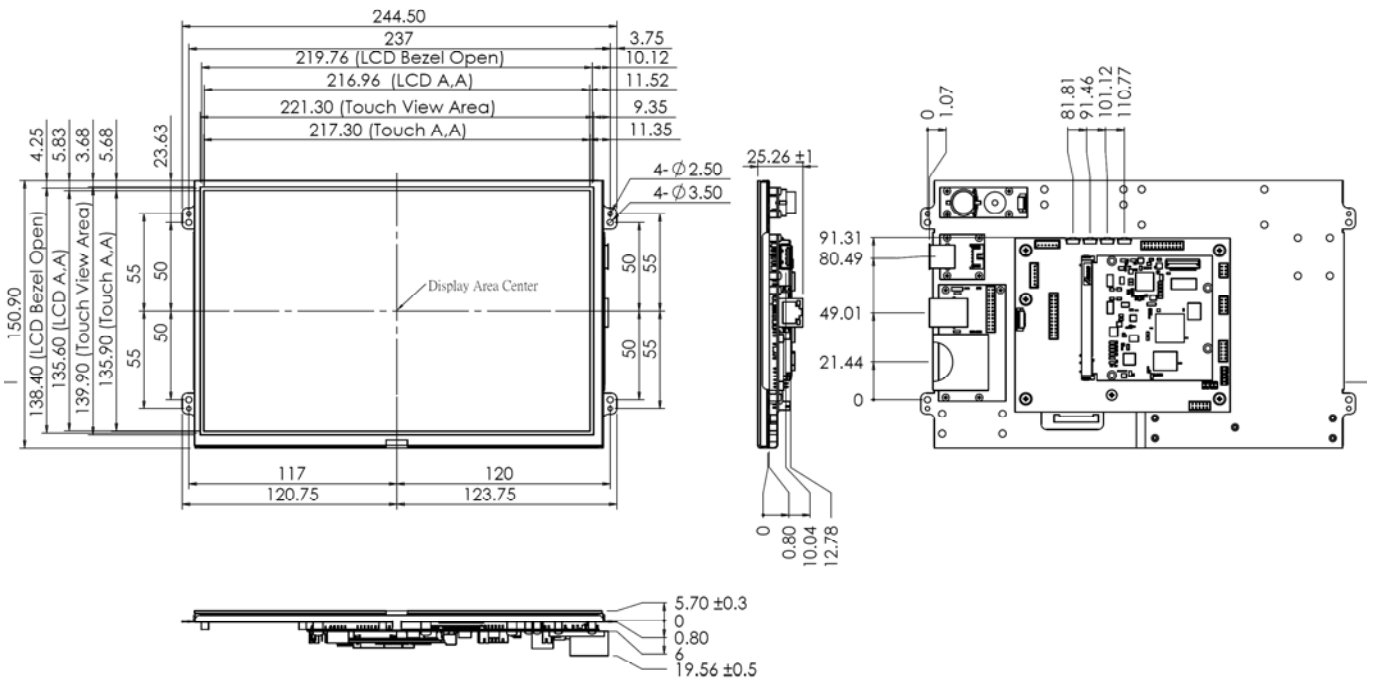


Dimension

PKA1Gx00R1-00R



PKA1Gx1AR2-00R





Accessories (Option)

NO.	Item	Order P/N	Picture
1	USB A-TYPE Board	LOUSBA0001-FDR With 6P-6P (2.0mm Cable)	
2	Mini USB Board	LOUSBMNI01-FDR With 6P-6P (2.0mm Cable)	
3	SD&LAN Board	LOSDLAN000-FDR With 24P-24P (2.0mm Cable)	
4	TF (Micro SD) & LAN Board	LOTFLAN000-FDR With 24P-24P (2.0mm Cable)	
5	Power & COM Board	LOPOWER007-FDR With 8P-8P (2.0mm Cable)	
6	Scan Key Board	LK09K00001-FDR With 10P-10P (2.0mm Cable)	





NO.	Item	Order P/N	Picture
7	Audio Board (Mic-in & Line out)	LOAUDIO003-FDR With 8P-8P (2.0mm Cable)	
8	Wi-Fi	LOWIFI0001-FDR With 6P-6P (2.0mm) Cable	
9	3A DC 12V Adapter	LASTD12030-FDR Match LAACD18000-FDR	
10	Power Cord Plug Type B for USA (D Type)	LAACD18000-FDR	